

# BÄRO

Retail  
Lighting

# Pendiro AM

SIMPLE. MODERN. EFFICIENT.

The archetypal elegant design of Pendiro AM 290 harmoniously fulfils a double function: as an efficient, high-quality luminaire and as a structuring element in the room.

With the double asymmetric light distribution patterns and the high CRI light colours Pendiro AM enables sophisticated light planning with a uniform appearance.

As a project partner and system supplier, BÄRO Retail Lighting offers innovative lighting solutions for all formats in the multi-faceted world of retail: "Fresh Light for Fresh Products".



#### Applications

- Aisle Lighting
- Product presentation

#### Benefits

- 4 Light colours
- 2 Fixture Colours
- 3 Mounting Options
- 2 Beam characteristics
- 1 Wattage
- ± 330° swivelling
- 5 years limited warranty



0-10V

BÄRO North America, Inc.  
10545 Baur Boulevard  
St. Louis, MO 63132

P (314) 692-BAR0 (2270)  
M info@baerousa.com  
www.baerousa.com

# The perfect light balance for contemporary retail concepts.

## PRODUCT OVERVIEW

Type: Track  
 Power options: 63 W  
 Lumen Output: 6,090 lm@63 W, 940, 96 lm/W  
 Color Temp: 90+ CRI: 2,700 K, 3,000 K, 3,500 K, 4,000 K

## MOUNTING OPTIONS

E1 Track 120 V  
 E2 Track 277 V  
 PB Pendant Box

## REFLECTOR OPTIONS

BatWing 2 × 25°  
 BatWing 2 × 35°

## FIXTURE FINISH OPTIONS

Black, White

## ELECTRICAL

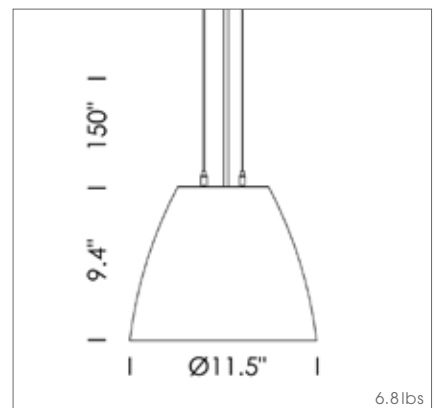
Input voltage: 100 V - 277 V  
 Input frequency: 50/60 hz  
 System power factor:  
 > 0.95

## RATINGS

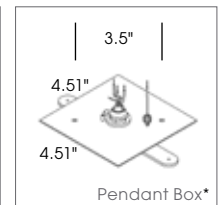
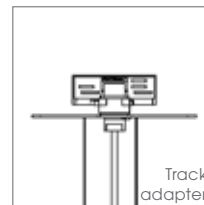
Operating Temperature: 40° F to 100° F  
 Location: UL Dry  
 Safety: CSA Certified  
 Lifetime: 50,000 h > 80%



Pendiro AM with BatWing-Reflector



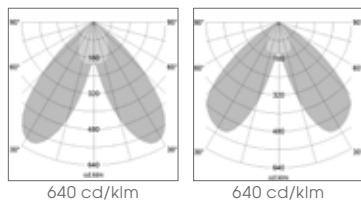
Install fixture on a horizontal surface only.



\* Fixture must be mounted directly to an electrical box. Electrical box not included.

## PENDIRO AM MODEL NUMBER BREAKDOWN (I.E. PAM930F-BW25E1-6)

PAM	930	L	F	BW25	E1	6						
Fixture designation	Array	Description	Power	Description	Dimming	Description	Reflector	Description	Track adapter	Description	Paint color	Description
PAM	927	2,700 K 90+ CRI	H	High 63 W	F	Fixed output	BW25		E1	Eutrac 120 V	2	Black
	930	3,000 K 90+ CRI			D	0-10 dimmable	BW35		E2	Eutrac 277 V	6	White
	935	3,500 K 90+ CRI							PB	Pendant Box		
	940	4,000 K 90+ CRI										



	927	930	935	940
TM30-15 (RF/RG)	90/99	89/103	88/103	88/99
63 W	5,310	5,510	5,870	6,090
Luminous flux (lm)				

The luminaire luminous flux figures vary in a tolerance range of ± 10%. All data are typical values. System features may change if product improvements are made due to technical advances. Errors excepted.